

## DISWASHER PASS THROUGH

# GS-85

### Features

External dimensions.	875 x 765 x 1580 mm.
Weight.	125 Kg.
Dimensions of racks.	500 x 500 mm. / 500 x 600 mm.
Output racks hour.	30 / 60
Output hour.	640 / 960 plates.
Usable height.	500 mm.
Total power.	7,5 Kw.
Wash pump power.	1,5 Kw. 500 l/min.
Boiler element heater.	6 Kw. Triphasic
Tank element heater.	6 Kw. Triphasic
Voltaje.	400V. / III / 50-60 Hz. 230V. / III / 50-60 Hz.
Wash cycle.	1 / 2 minutes
Water consumption by rinsing.	3 Litres
Wash tank.	58 Litres
Boiler capacity.	8 Litres
Numbers of wash arms upper.	4
Numbers of wash arms bottom.	4
Numbers of jets.	48
ø jets.	ø 6 mm.
Rinse jets upper.	8
Rinse jets bottom.	8
Water inlet.	3/4"
Pressure for the water supply.	2 - 4 bars. 200 - 400 Kpa.
Required flow.	30 Litres / minute aprox.
Drain.	ø ext. valve 28 mm. ø tube 32 mm. ext.



### Endowment

- 1 Universal rack
- 1 Metal rack 600 x 500 mm.
- 1 Water inlet hose
- 1 Drain hose



### Control panel

High-visibility front and easy to use.



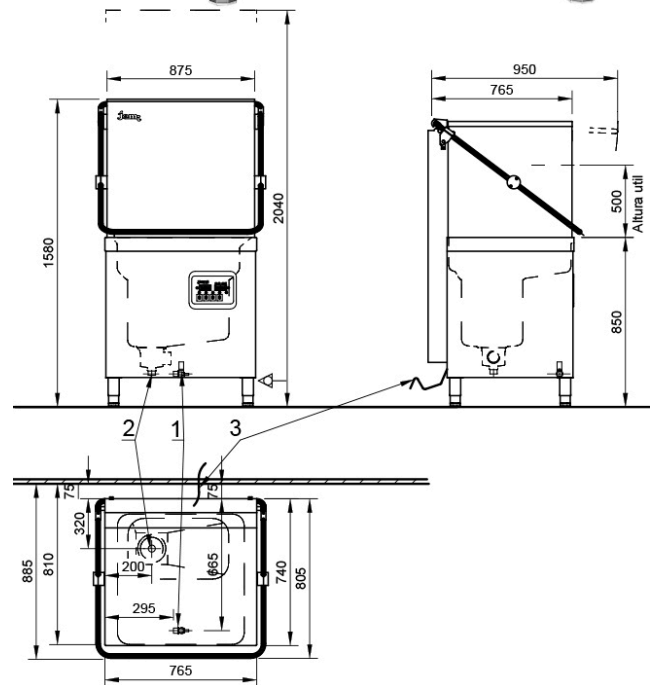
### Extraction arms

.Extraction system  
Arms straight forward PULL UP  
For easy cleaning



### Tanks

AISI 316 stainless steel  
rounded-corner pressed  
tank without welding



### Index

1. Water inlet 3/4" max.60° C.
  2. Drain ø 50 mm.
  3. Cable length 1,5 m.  
230V. III 4x6 mm.  
400V. 5x4 mm.
- Power: 230 V / III / 7,5 Kw.  
400 V. / III / 7,5 Kw.

