

DISHWASHER
FRONT LOADING

GS-18 *Premium line*



Features

External dimensions.	580 x 650 x 820 mm.
Weight.	54 Kg.
Dimensions of rack.	500 x 500 mm.
Output racks hour.	30
Output / hour.	1140 glasses / 480 plates
Usable height.	380 mm.
Total power.	3,35 Kw.
Wash pump power.	0,74 Kw. 250 l/hour
Boiler element heater.	2,6 Kw. Monophase
tank element heater.	2,4 Kw. Monophase
Voltaje.	230V. / II / 50-60 Hz.
Wash cycle.	2 minutes
Water consumption by rinsing.	2,3 Litres
Wash tank.	25,5 Litres
Boiler capacity.	4 Litres
Numbers of wash arms upper.	3
Numbers of wash arms bottom.	4
Numbers of jets.	42
ø jets.	ø 5 mm.
Rinse jets upper.	6
Rinse jets bottom.	8
Water inlet.	3/4"
Pressure for the water supply.	2 - 4 bars. 200 - 400 Kpa.
Required flow.	30 Litres / minute. approx.
Drain.	ø ext. valve 28 mm. ø tube 32 mm. ext.

Premium line

Push button / switch panel and digital thermometers



Endowment

- 1 Plate rack
- 1 Glasses rack
- 1 Cutlery basket
- 1 Water inlet hose
- 1 Drain hose



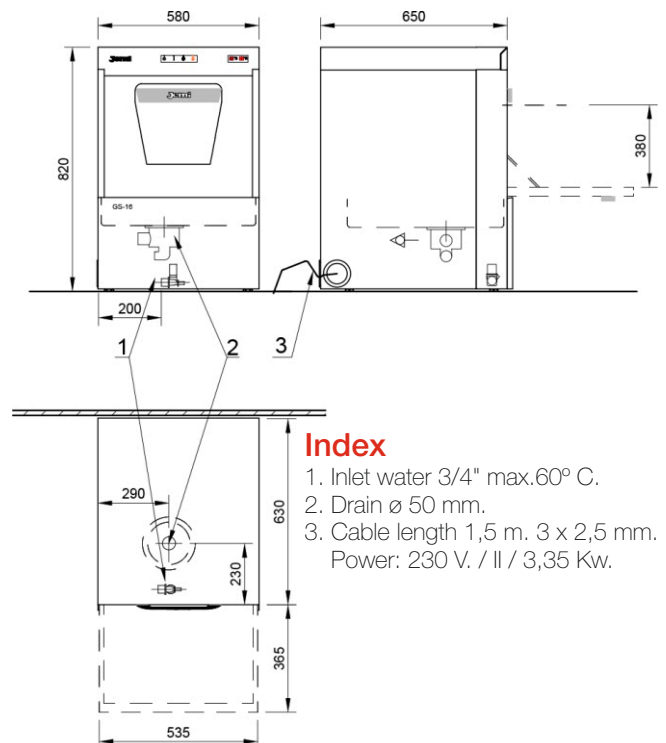
Extraction arms

Washing arm pull out system pull up for easy cleaning



Acces and assistance

Front acces, especially developed for fast and easy technical assistance, witch does not require moving the machine.



Index

1. Inlet water 3/4" max.60° C.
2. Drain ø 50 mm.
3. Cable length 1,5 m. 3 x 2,5 mm.
Power: 230 V. / II / 3,35 Kw.

