

DISHWASHER  
FRONT LOADING

## GS-17 *Efficient line*



### Features

External dimensions.	580 x 650 x 820 mm.
Weight.	54 Kg.
Dimensions of rack.	500 x 500 mm.
Output racks hour.	30
Output / hour.	1140 glasses / 480 plates
Usable height.	380 mm.
Total power.	5,25 Kw.
Wash pump power.	0,74 Kw. 250 l/hour
Boiler element heater.	4,5 Kw. Monophase
tank element heater.	4,5 Kw. Monophase
Voltaje.	400V. / III / 50-60 Hz. 230V. / III / 50-60 Hz.
Wash cycle.	2 minutes
Water consumption by rinsing.	2,3 Litres
Wash tank.	25,5 Litres
Boiler capacity.	4 Litres
Numbers of wash arms upper.	3
Numbers of wash arms bottom.	4
Numbers of jets.	42
ø jets.	ø 5 mm.
Rinse jets upper.	6
Rinse jets bottom.	8
Water inlet.	3/4"
Pressure for the water supply.	2 - 4 bars. 200 - 400 Kpa.
Required flow.	30 Litres / minute. approx.
Drain.	ø ext. valve 28 mm. ø tube 32 mm. ext.

### Efficient line

Push button / switch panel and analogue thermometers



### Endowment

- 1 Plate rack
- 1 Glasses rack
- 1 Cutlery basket
- 1 Water inlet hose
- 1 Drain hose

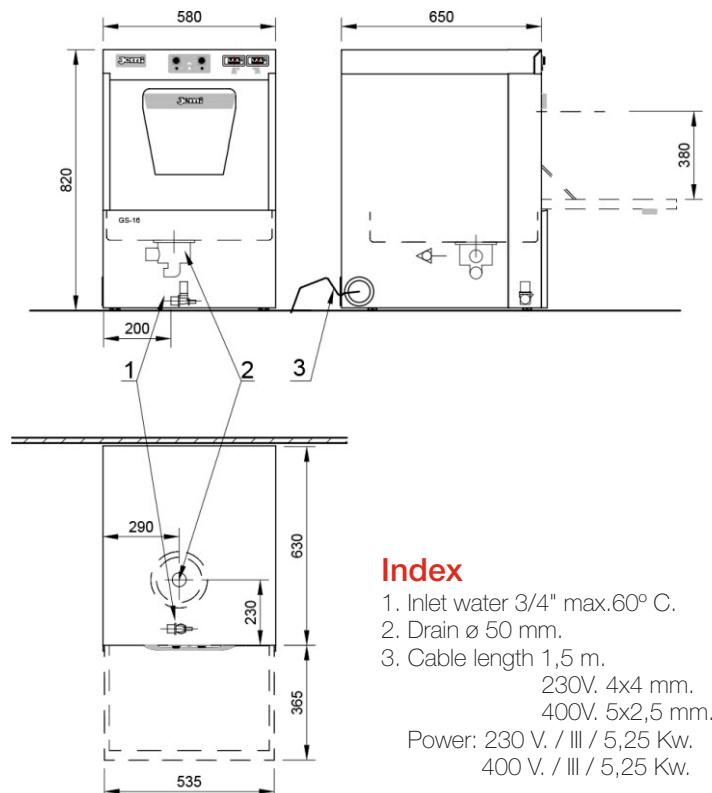
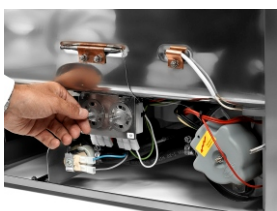
### Extraction arms

Washing arm pull out system pull up for easy cleaning



### Acces and assistance

Front acces, especially developed for fast and easy technical assistance, witch does not require moving the machine.



### Index

1. Inlet water 3/4" max.60° C.
  2. Drain ø 50 mm.
  3. Cable length 1,5 m.  
230V. 4x4 mm.  
400V. 5x2,5 mm.
- Power: 230 V. / III / 5,25 Kw.  
400 V. / III / 5,25 Kw.

