

**DISWASHER  
PASS THROUGH**

## GS-105 M

### Features

External dimensions.	1410 x 750 x 1580 mm.
Weight.	200 Kg.
Dimensions of racks.	2 of 500 x 500 mm. 1210 x 500 mm.
Output racks hour.	60 / 120
Output hour.	1280 / 1920 plates.
Usable height.	500 mm.
Total power.	15 Kw.
Wash pump power.	2x1,5 Kw. 2x500 l/min.
Boiler element heater.	2x6 Kw. Triphasic
Tank element heater.	2x6 Kw. Triphasic
Voltaje.	400V. / III / 50-60 Hz. 230V. / III / 50-60 Hz.
Wash cycle.	1 / 2 minutes
Water consumption by rinsing.	2x3 Litros
Wash tank.	2x58 Litres
Boiler capacity.	2x8 Litres
Numbers of wash arms upper.	2x4
Numbers of wash arms bottom.	2x4
Numbers of jets.	2x48
ø jets.	ø 6 mm.
Rinse jets upper.	2x8
Rinse jets bottom.	2x8
Water inlet.	3/4"
Pressure for the water supply.	2 - 4 bars. 200 - 400 Kpa.
Required flow.	30 Litres / minute aprox.
Drain.	ø ext. valve 28 mm. ø tube 32 mm. ext.



### Endowment

- 1 Universal rack
- 1 Metal rack 1210 x 500 mm.
- 1 Water inlet hose
- 2 Drain hose



### Control panel

High-visibility front and easy to use.



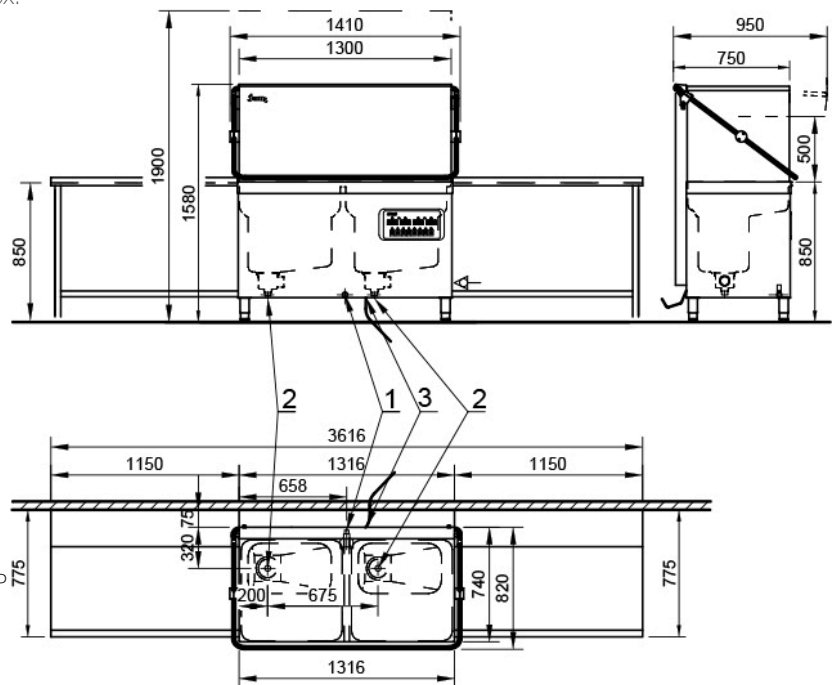
### Extraction arms

.Extraction system  
Arms straight forward PULL UP  
For easy cleaning.



### Tanks

AISI 316 stainless steel  
rounded-corner pressed  
tank without welding



### Index

1. Water inlet 3/4" max.60° C.
  2. Drain ø 50 mm.
  3. Cable length 1,5 m.
- 230V. III 4x6 mm.  
400V. 5x4 mm.  
Power: 230 V. / III /15 Kw.  
400 V. /III / 15 Kw.

